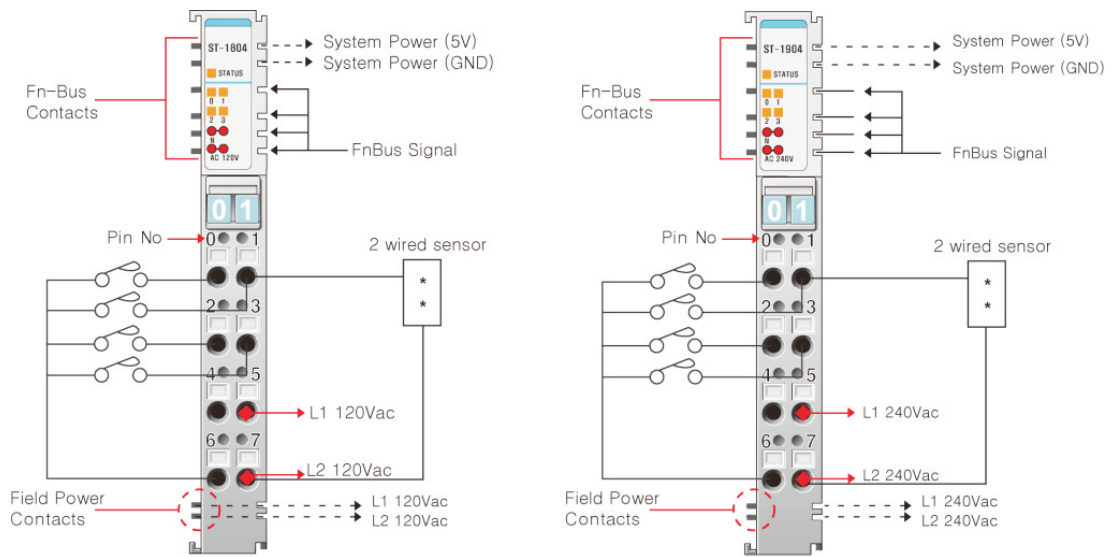


ST-1804, ST-1904

120Vac/240Vac, 4 Points, AC, Terminal

FnIO S-Series Digital Input



Item	ST-1804	ST-1904
Input Specification		
Inputs Per Module	4 Points	
Indicators	4 Green Input States, 1 Green/Red Fn-Bus State	
ON-state Voltage	120Vac nominal Min.85Vac ~ Max. 132Vdc	240Vac nominal Min.170Vac ~ Max. 264Vdc
Min. OFF-state Voltage	Max. 60Vac	Max. 130Vac
ON-state Current	Max. 8mA / Point @132Vdc	Max. 12mA / Point @264Vdc
Input Signal Delay	OFF to ON : Max. 10ms / ON to OFF : Max. 10ms	
Nominal Input Impedance	Typ. 11K Ω	Typ.22K Ω
Frequency Range	47-63Hz	
Common Type	4 Points / 2COM (Single Common)	
General Specification		
Power Dissipation	Max. 35mA @5.0Vdc	Max. 35mA @5.0Vdc
Isolation	I/O to Logic : Photocoupler Isolation	
Field Power	Supply Voltage : 120Vac nominal Voltage Range : Min. 85vac ~ Max. 132Vac	Supply Voltage : 240Vac nominal Voltage Range : Min. 170 ~ Max. 264Vdc
Wiring	I/O Cable Max. 2.0mm ² (AWG 14)	
Weight	70g	
Module Size	12mm x 99mm x 70mm	
Environment Condition	Refer to " Environment Specification"(page : 1-191)	
Pin No.	Description	Description
0	Input Channel 0	Input Channel 0
1	Input Channel 1	Input Channel 1
2	Input Channel 2	Input Channel 2
3	Input Channel 3	Input Channel 3
4	L1	L1
5	L1	L1
6	L2	L2
7	L2	L2
-	-	-
-	-	-
-	-	-
-	-	-
-	-	-
-	-	-
-	-	-
-	-	-
-	-	-
-	-	-
-	-	-
-	-	-
-	-	-
-	-	-

Digital Input

Mapping Data into the image Table

ST-1xx4

Input Module Data

D3	D2	D1	D0
----	----	----	----



Input Image Value

Bit No	Bit 7	Bit 6	Bit 5	Bit 4	Bit 3	Bit 2	Bit 1	Bit 0
Byte 0	Reserved				D3	D2	D1	D0

ST-1xx8

Input Module Data

D7	D6	D5	D4	D3	D2	D1	D0
----	----	----	----	----	----	----	----



Input Image Value

Bit No	Bit 7	Bit 6	Bit 5	Bit 4	Bit 3	Bit 2	Bit 1	Bit 0
Byte 0	D7	D6	D5	D4	D3	D2	D1	D0

ST-1xxF

Input Module Data

D7	D6	D5	D4	D3	D2	D1	D0
D15	D14	D13	D12	D11	D10	D9	D8



Input Image Value

Bit No	Bit 7	Bit 6	Bit 5	Bit 4	Bit 3	Bit 2	Bit 1	Bit 0
Byte 0	D7	D6	D5	D4	D3	D2	D1	D0
Byte 1	D15	D14	D13	D12	D11	D10	D9	D8

Expansion Module Status LED

LED Status	Cause	Action
Off	Not Powered No Initialized	Device has no expansion Module or may not be powered The Parameter is not initialized yet
Green	Fn-Bus Connection	Fn-Bus normal Operation
Flashing Green	Fn-Bus Ready	Fn-Bus ready
Flashing Red	Fn-Bus Fault	Fn-Bus Time Out Fn-Bus Failed Communication
Red	Device Fault	Device fault

Channel Status LED

LED Status	Cause	Action
Off	Not Signal	Normal Operation
Green	On Signal	Normal Operation

Configuration Parameter

Valid Parameter length : 0 byte

Parameter Data : All of Parameter Data is not used.